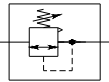


AIR LINE REGULATOR

PRECISION SERIES- A 215 / A216

SERVICE : COMPRESSED AIR, WATER AND GASES

Design specially for low pressure application, where minimal Reduced pressure variation is required.
High ratio of diaphragm to orifice area provides excellent performance and stability at low reduced pressure.



Application

Air / Water pressure regulation fluidics devices

Technical Data

Material specification

Body / Spring Cage (Bonnet)	Cast Aluminium	
Bottom Plug	Brass	
Disc / Seals	Buna N	
Diaphragm	Nylon, reinforced Nitrile	
Spring	Pressure	Spring Steel Zn Plated
	Valve	St. Steel

Standard Features

Outlet Pressure Range	0 - 1.3 Kg/cm ² (0.20 PSI)
Type	Diaphragm / Relieving Type

Ordering References

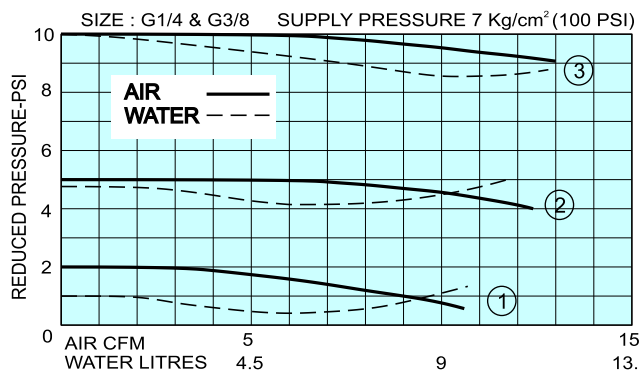
SIZES	MODELS	
	Non Relieving	Relieving
G1/4	A 215-02	A 216-02
G3/8	A 215-03	A 216-03

Model : 216 not suitable for water use.

Features * * * * *

- Aluminium diecast body for air, optional brass body for oil and water services.
- Large diaphragm provides exceptional performance particularly under 10 PSI.
- 100 mesh stainless steel strainer to protect disc assembly.

Flow Curves



Typical relief characteristics minimum over pressure for actuation 1.5 PSI
relief capacity at 15 PSI over pressure 5.5 scfm.



Condition of use

Max. Supply Pressure	12 Kg/cm ²
Max. Op. Temp.	70° C

Service Kits

	Relieving	Non Relieving
Diaphragm Assy. Kit	SPRA-04R	SPRA-04NR
Service Kit	PROR	PRONR

Reduced Pressure Range

Available in three ranges : suffix 0 -for 0.5 kg/cm² (0-8 PSIG)
14 -for 1.3 kg/cm² (0-20 PSIG)
02 -for 4 kg/cm² (0-60 PSIG)

Unless otherwise specified. 1.4 Kg/cm² (0-20 PSIG) will be supplied.

Model Ordering Code Instruction

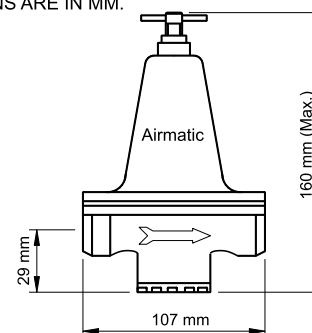
A216 - 02 - - 05 - - PRK

A216 - Precision Regulator
 02 - Size G1/4
 03 - Size G3/8
 N - Connection NPT
 BLANK - Connection BSP
 05 - Pr. Range 0 - 0.5 Kg/cm²
 14 - Pr. Range 0 - 1.3 Kg/cm²
 02 - Pr. Range 0 - 4 Kg/cm²
 P - Panel Mtg.
 RK - Round Knob
 Diaphragm
 Blank - BUNA N
 VD - Viton
 ND - Neoprene

Dimensions & Weight

Panel cut out Diameter	21.5 mm
Maximum Panel Thickness	6.5 mm
Weight in Kgs.	0.735

ALL DIMENSIONS ARE IN MM.



Shah Pneumatics

Regd. Office : 28-30, Navketan Industrial Estate,
Mahakali Caves Road, Andheri (East),
Mumbai - 400 093, INDIA.

Phone : +91-22-6695 1090, 2687 5314 Fax: +91-22-2687 5317

E-mail : shahpneu@bom3.vsnl.net.in

Website : www.shah-pneumatics.com